

# Verandas & Glass Rooms

Everything you need in one place to develop your outdoor living space.

*Your outdoor living experience starts here!*



*One of the best investments you'll ever make, your veranda should directly reflect your needs, as well as your lifestyle.*



# The *Glass Room* Range

**When it comes to making the garden a part of your home, our glass rooms are perfect in terms of style, design and versatility. Using our unique designs, we are sure to have a system to offer that will be in-keeping with the appearance and function that you are looking to achieve and within an affordable budget.**

Our retractable glass sliding doors or fixed glass panels will offer unbroken panoramic views of the surroundings and protect those underneath from the elements, opening your home up to the 'outdoor living indoor' experience.

A glass room allows users to enjoy the outside all year

round and will become the heart of any home.

Each system is individually designed and manufactured to reflect your customers aspirations and requirements, as well as to maximise the space that they have available.

Glass rooms also add value to properties as well as style and character no matter where they are situated within the UK.

All our glass rooms are constructed from aluminium profiles which can be powder coated to any colour and covered with toughened glass roof panels. We also offer shading solutions as well as optional heating and lighting which can transform the outdoors into an area that can be used all year round.





# 4 systems



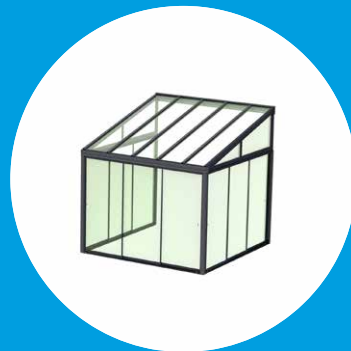
**The Contemporary  
Glass Room**



**The Lifestyle  
Glass Room**



**The Traditional  
Glass Room**



**The Simplicity 6  
Glass Room**







# The *Contemporary* Glass Room

**This uniquely designed Glass Room will offer both style and elegance to any property. When incorporating Glass Sliding Doors or Glass Infill Panels, all year round weather protection will be provided allowing you to enjoy your outdoor living experience.**

The Contemporary Glass Room will become the focal point of any home, permitting you to plan your entertaining or outdoor dining without fear of any disruption from the UK variable weather.

The contemporary design can be further enhanced with the introduction of integrated LED lighting which can change the mood and ambience of the alfresco living experience. Further additions of heaters will also offer greater functionality on those chilly evenings, whilst the fitting of a Screener Veranda will provide all the sun protection the average family will need.

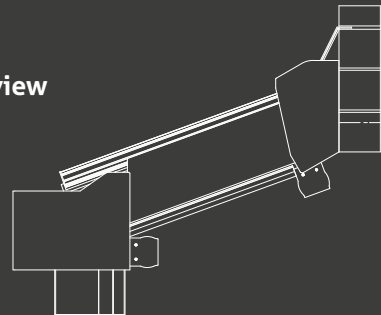
With a 6m span between posts, it will ensure the panoramic views of the surroundings are completely uncompromised.

All the framework is aluminium and has the option of being powder coating to match any RAL colour and features 8mm toughened clear glass or 35mm polycarbonate in the roof.

*"Having updated all of our windows and created an area for bi-folding doors, we were looking for a veranda to let us use the garden area all year round and bring the outside in. We didn't want a traditional looking veranda so when we saw the contemporary alfresco, it suited the house perfectly. Having an unimpaired view from the bi-folding doors was really important and the 6m post span is perfect. We use the space for entertaining in the summer months but as we are quite near the coast, protection from the wind was important. The sliding doors work so well and maintain the uninterrupted view of the garden and coastline."*

**MR & MRS SIMPSON  
BOURNEMOUTH, DORSET**

**Cross section view**







# The *Lifestyle* Glass Room

**Are you looking for a structure that blends modern styling with minimal chic?**

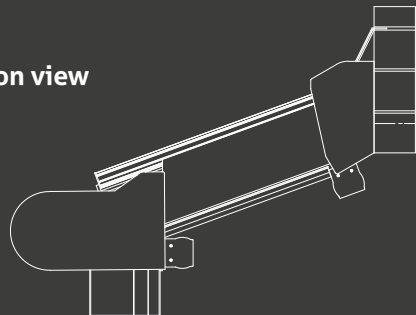
A beautiful outdoor living solution that will enhance the pleasure gained from enjoying time outdoors which is no longer limited to the warm summer months thanks to the Lifestyle Glass Room. By adding sliding glass doors and fixed glazed panels, you can take in the view throughout the whole year protected from the elements.

*"Our old veranda had vertical awnings on the sides and whilst this was great for shade protection, it wasn't good in the wind. We wanted a solution where we could have the best of both worlds and now have this with our glass room. We like the sleek design of the system and the large span between the posts. A great addition to our home."*

**MR C. SOUTHALL  
ELY, CAMBRIDGESHIRE**



**Cross section view**







# The *Traditional* Glass Room

**Are you looking to offer the all in one outdoor living solution?**

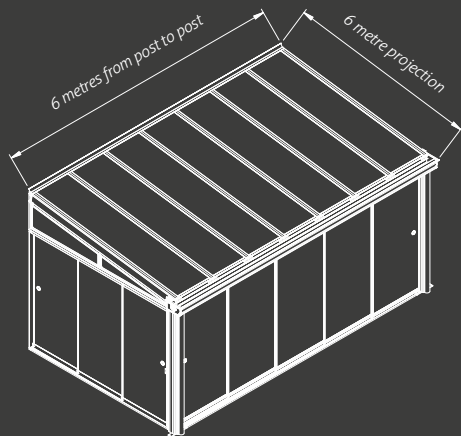
The Traditional Glass Room is the best of the best. We have taken the elegant design of the traditional Alfresco and made it possible for use in all weather conditions, and we still managed to retain the classy yet traditional look.

This ornate high end option has been designed with elegance in mind. With a large span and projection, it truly allows the end user to take in all aspects of their garden. The fully enclosed feature allows use of the system all year round.

The sleek glass sliding doors and fixed glass panels allows you to adapt the purpose of your glass room all year round. You can fully open them on hot summer days, and close them during the colder months of the year to protect them from harsh winds and downpours enabling you to get the most from your outdoor living experience.

*"The patio was due for renewal and we wanted to maximise the time we spent in the garden. The traditional alfresco design fitted in with the rustic charm of our cottage and we love to entertain and relax in this space, sheltered from the elements."*

**MR G. LARSON  
MERSEYSIDE**



**Cross section view**









# The *Simplicity* Glass Room

Enabling you to enhance your outdoor experience whether you like entertaining, dining or just relaxing in your garden. The versatility of a **Simplicity 6 Glass Room** will provide that life style.

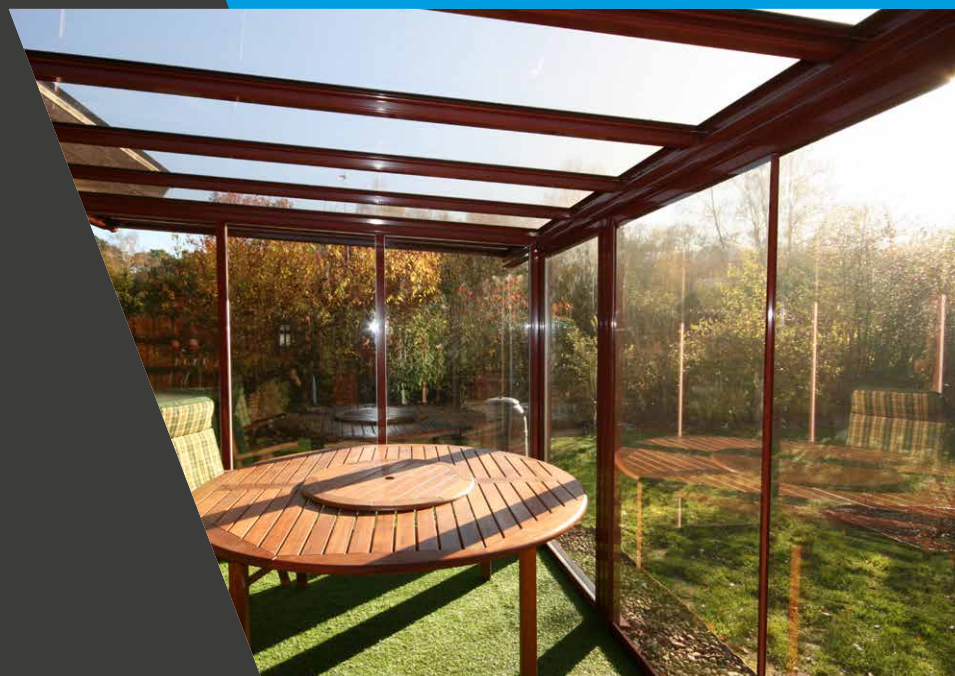
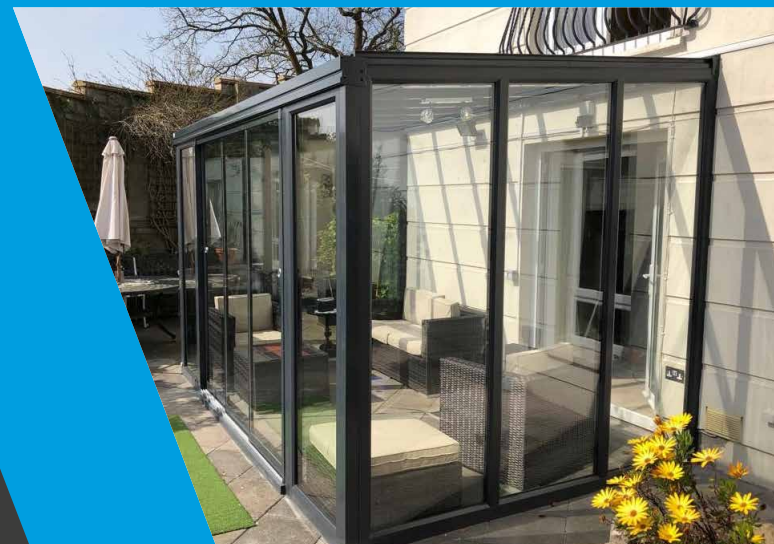
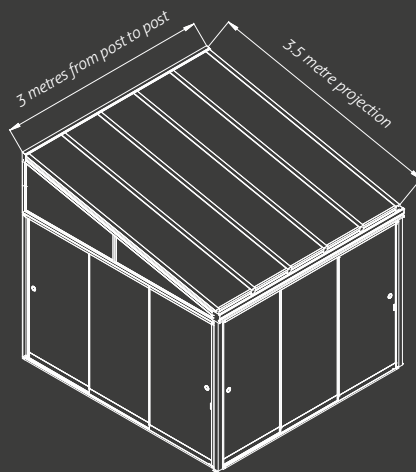
Our stylish glass veranda now has the added feature of incorporating retractable glass sliding doors and fixed panels to create an outdoor room that is weather protected and can be used all year round.

The Simplicity 6 Glass Room is the perfect choice for domestic gardens due to its shading and optional heating and lighting features. This system will transform the UK glass room market as it has all the style, features and benefits of all glass room systems but the **PRICE** and **QUALITY** will exceed all expectations.

The framework is completely manufactured from aluminium and can be powder coated to a RAL colour. It also features 6mm toughened glass that is available in a range of tinted options.

*"Due to the limited patio space we had, it was a struggle to find a product which didn't take up a lot of space but would give us a sheltered area that we could enjoy the garden in all year round. The Simplicity 6 Glass Room met our needs perfectly and we find ourselves in it most days thanks to the heaters and lighting that we opted for."*

**MRS G. BRAITHWAITE**  
**ESHER, SURREY**





# The Alfresco Range

**The all new Alfresco Range consists of 3 very different looking structures to compliment any surrounding. Whether it's traditional, contemporary or something a little more subtle, the Alfresco Range really does have it covered. All structures are available with integrated LED lighting, heating, the glass room upgrade and hidden fixings.**

All systems within the Alfresco range have the option to span a massive 6 metres from post to post which means that the view is never compromised.

We have worked closely with a leading designer to create an innovative and truly stunning range of systems that will enhance and add value to your homes allowing you to be sheltered and comfortable in your gardens whatever the weather.

The structures can be glazed with either 8mm toughened glass or 35mm polycarbonate sheets. The glass option

offers improved acoustic properties reducing the noise of rain during a downpour as well as providing a sparkling finish which is easy to maintain.

Like our other systems they are made completely from aluminium for ultimate longevity. They feature easy-fix clip on profiles that hide fixings and downpipes to give a stylish and modern look. This also means that any cabling for additional extras such as lighting, heating or even a sound system can be hidden from view with no unsightly trailing cables.

Each system can be manufactured to an exact size to suit requirements and can be polyester powder coated to ANY RAL or BS colour.

The Alfresco is supplied with a 10 year guarantee and a minimum 25 year life expectancy and many optional extras. The 3 systems shown overleaf are the Contemporary Alfresco with its clean minimal looks, the Lifestyle Alfresco with its rounded face soft finish and the Traditional Alfresco with its ornate gutters, clip-on claddings and stunning high end finish.



# 3 options

**Ideal for BIG SPAN VERANDAS, GLASS ROOMS  
and OUTDOOR DINING CANOPIES.**

The Alfresco Range is the latest addition to our veranda range and with its massive 6 metre span between posts, your customers view is never compromised.

It is available with LED integrated lighting, heating has concealed fixings and is made entirely from aluminium. The Alfresco Range is the perfect solution for creating a unique and practical outdoor space for garden parties, barbecues and all kinds of family and social events all year round.

**All of the Alfresco structures are available  
with a either 8mm glass or 35mm  
polycarbonate roof panels.**



**The *Contemporary*  
Alfresco**



**The *Lifestyle*  
Alfresco**



**The *Traditional*  
Alfresco**





option **H**





# The *Contemporary* Alfresco

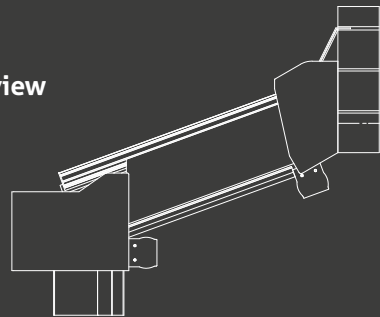
Introducing the Contemporary Alfresco, with clean lines and minimal looking aluminium extrusions which have been designed with simplicity in mind. This sleek, yet modern structure has a subtle elegance that will never go out of style.



The optional integrated LED Lighting and heaters enable your customers to use the structure in to the evening, and for complete shelter from the elements they can opt for the glass room upgrade.

The fixings are hidden with aluminium trims and the downpipes are inside of the posts and can be connected either underground drainage or diverted to a surface drain.

**Cross section view**



2  
option

## The *Lifestyle* Alfresco

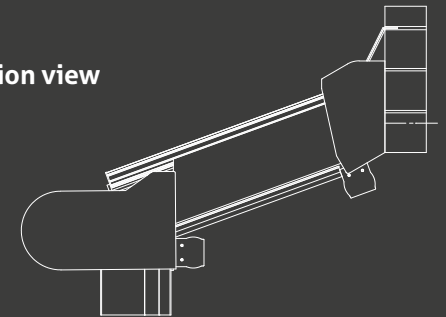
Introducing the Lifestyle Alfresco, this fresh rounded option has also been designed with simplicity in mind. This sleek structure is subtle and complements any surrounding.

The optional integrated LED lighting and heaters enable your customers to use the structure during in the evening and for complete shelter from the elements they can opt for the glass room upgrade.

The fixings are hidden with aluminium trims and the downpipes are hidden inside of the posts and can be connected either underground or diverted to a surface drain.



Cross section view









# The *Traditional* Alfresco

Introducing the Traditional Alfresco. This ornate, high-end option has been designed with elegance in mind. This traditional looking structure complements the most sophisticated of buildings.

The optional integrated LED Lighting and heaters enable your customers to use the structure in the evening and for complete shelter from the elements they can opt for the glass room upgrade.

The fixings are hidden with aluminium trims and the downpipes are hidden inside of the posts and can be connected either underground or diverted to a surface drain.



Cross section view

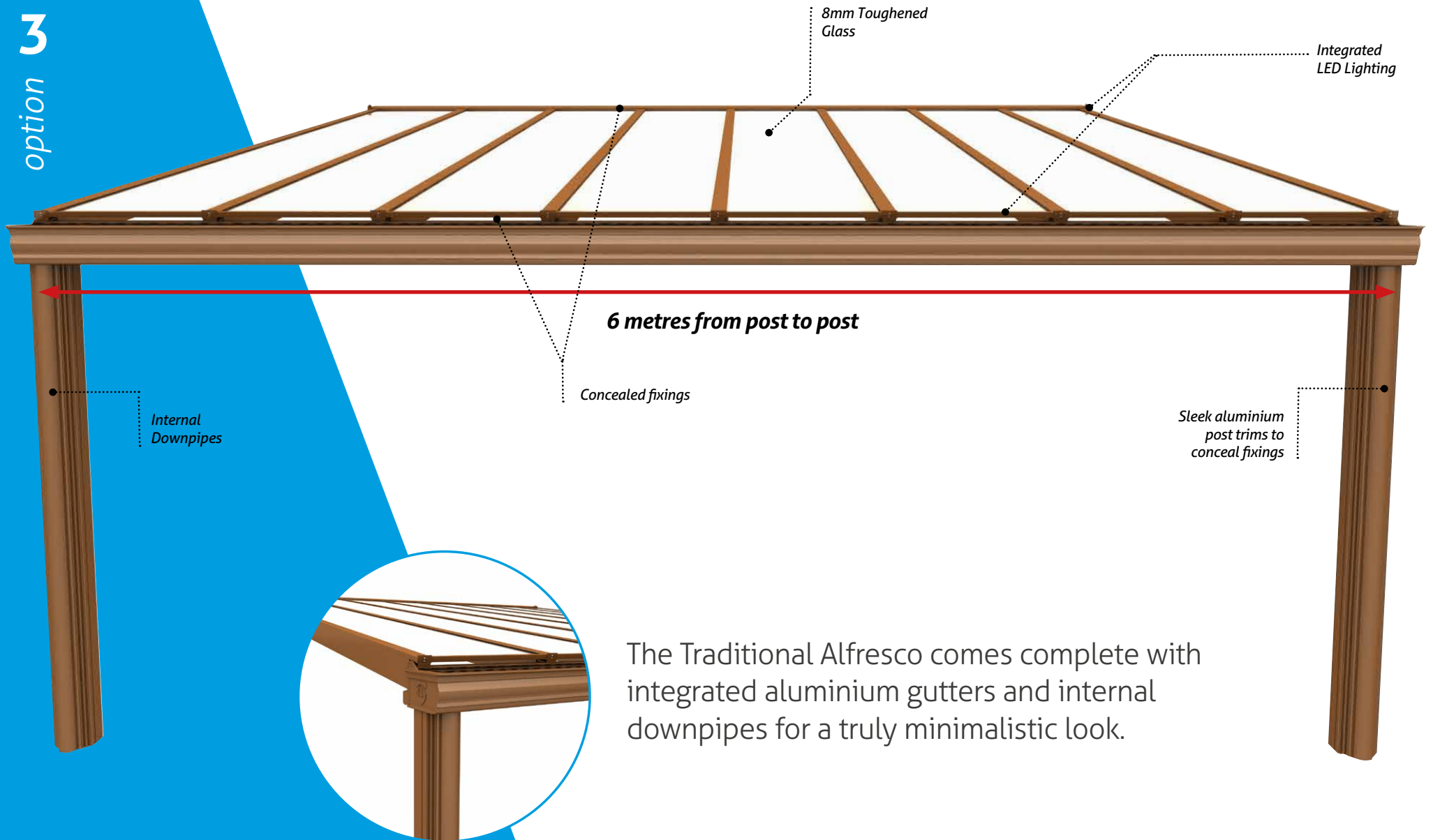








option 3



The Traditional Alfresco comes complete with integrated aluminium gutters and internal downpipes for a truly minimalistic look.



# The Alfresco Range

## Features & Benefits

- **Full 10 Year Guarantee** – The Alfresco Range is supplied with a full 10 year guarantee and a minimum 25 year life expectancy for the canopy frame
- **Choice of Glass or Polycarbonate** – Choose from either 8mm toughened glass or 35mm polycarbonate which is Class 1 BS EN 12600 for impact Performance
- **Low Maintenance** – All systems are aluminium so maintenance is significantly reduced over other PVC options available elsewhere on the market
- **Available Projections** – Up to an impressive 6 metres
- **Integral Aluminium Guttering and Easy-Fix profiles** – Creates a sleek, modern design.

### Projection up to 6m

#### Posts Spacing

**Projection:** Up to 6m

**Spacing:** 6.0m

#### Glazing Bars Spacing

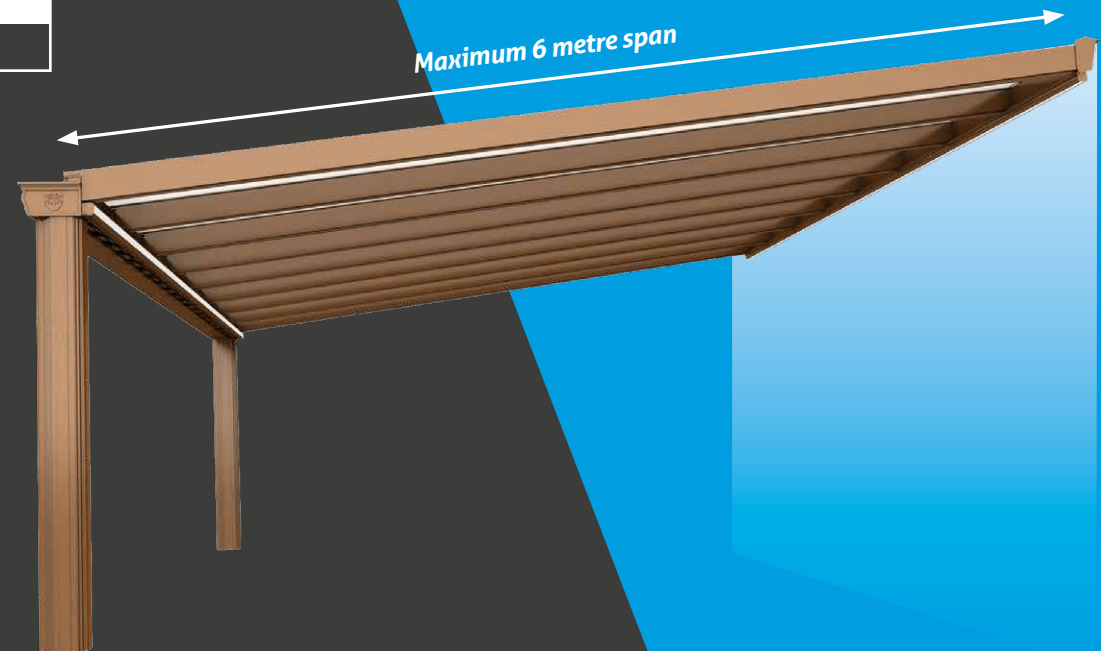
**Projection:** Up to 6m

**Spacing:** 800mm

#### Pitch

5 degrees minimum to 45 degrees maximum

*These are general calculations, once we understand your requirements we will perform an assessment for wind and snow loadings based on your postcode.*



*"Thank you for a really nice job, it looks great."*

MR. MARTIN - ROMFORD, ESSEX

*The Traditional Alfresco has an Integrated LED Lighting System and aluminium trims to conceal the fixings and give a quality finish.*





# The *Alfresco* Range

## Optional Upgrades

The Traditional Alfresco can be supplied with a host of upgrades to enhance the experience of using the area.

*These include:*

- **Remote Controlled Integrated LED Lighting** which will enable the area to be enjoyed in the evening.
- **Infrared Heaters** to make the area more comfortable on those chilly days and nights.
- **Fixed or Sliding Glass Side or Front Panels** to offer complete weather protection around the front or the sides.
- For the best of both worlds the **Screener Veranda** can be installed on the top or the underside of the structure to give the customer automated shade whenever they feel the need for shade.
- **Wide Range of Colour Options** – The aluminium frame can be finished to any BS or RAL colour.



**GLASS ROOM**



**LED LIGHTING AVAILABLE**



**INFRARED HEATERS AVAILABLE**



**SCREENER VERANDA SUN SCREEN**



**ANY RAL COLOUR OPTION**

Available as a Glass Room Upgrade. Please ask for more details.

Available in any RAL colour



**Glass Room Upgrade**



**Screener Veranda Upgrade**

# The *Simplicity* Range

**The Simplicity range of solutions have been designed with quality longevity and speed of installation in mind.**

We have developed these systems to be completely made from aluminium so that they last the rigorous of the British weather.

They can be glazed with either glass or polycarbonate so that you can be assured they can meet most budgets.

We place a lot of importance on keeping things simple and quick to install (hence the name) this means these products are really simple for your clients to maintain.

Having a range of options is also important so that customers can enhance the experience by adding upgrades like lighting, heating and additional protection from the elements.



Cost effective carport or garden veranda systems that are quick and easy to install.

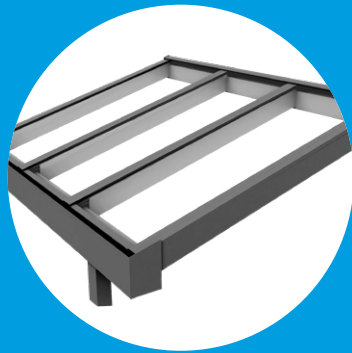




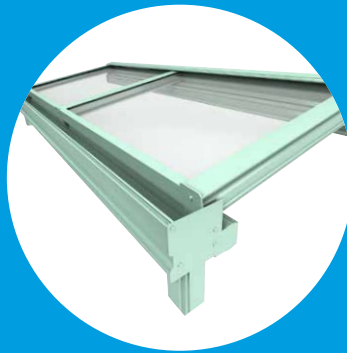
# 2 options

## All aluminium solutions available in any colour

We have 2 very different options with 2 sets of upgrades within the Simplicity range which will enable you to specify a product to most applications and budgets.



*The Simplicity Xtra*



*The Simplicity 6*





option 1





# The *Simplicity Xtra* Glass Veranda

## Features & Benefits

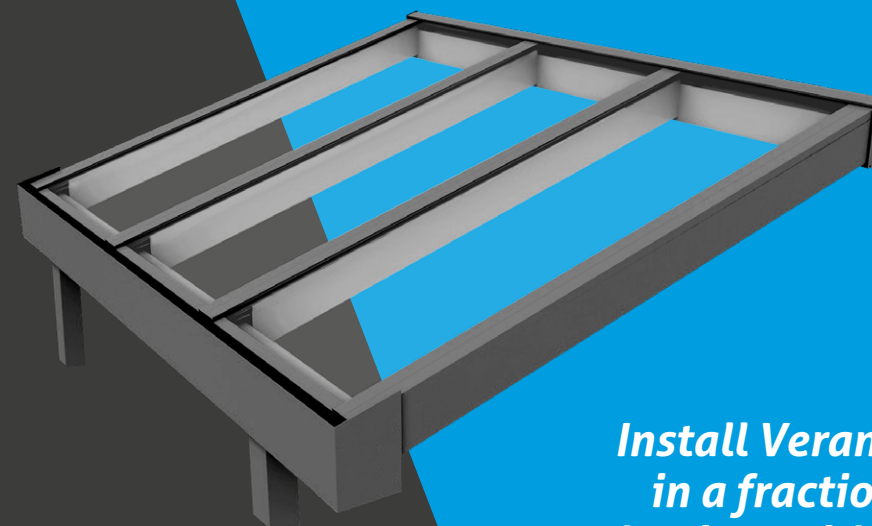
- **Easy Glaze Roof System** – The Simplicity Xtra features an easy glaze roof system to make the installation process much quicker and simpler
- **4m Projection** – The Simplicity Xtra veranda can span up to 4 metres (glass length) to cover areas with a large projection
- **Unlimited Length** – The length is unlimited, allowing your customers to cover the whole length of their home/ building
- **Aluminium Frame** – The frame is made completely from aluminium for strength and longevity
- **Glass Roof** – The roof is covered with 6mm glass as standard, tinted glass and 6mm self-cleaning glass is available as an upgrade (please contact us for glass upgrade prices)
- **Integrated Guttering** – Guttering is integrated into the veranda frame for a sleek appearance and minimal maintenance. Available with a choice of internal or external downpipes
- **Upgrades Available** – Which include remote controlled dimmable integrated spot lights, the Victorian Upgrade, Wall Mounted Heaters and Self-Cleaning Glass
- **4m Between Posts** – There is a 4m spacing between the posts for an almost undisturbed view
- **Available in Any RAL Colour** – The aluminium frame is supplied in a choice of White (RAL 9016) or Anthracite Grey (RAL 7016) as standard. Other RAL colours are available at an additional cost
- **10 Year Guarantee** – Supplied with a 10-year guarantee and a 25-year life expectancy

Information on the design load and maximum span limits is available on request.

### Projection up to 4m

Posts Spacing	
Projection:	Up to 4m
Spacing:	4.0m
Glazing Bars Spacing	
Projection:	Up to 4m
Spacing:	600mm
Pitch	
From 2.5 degrees to 22.5 degrees	

*These are general calculations, once we understand your requirements we will perform an assessment for wind and snow loadings based on your postcode.*



**Install Verandas  
in a fraction of  
the time with the  
Simplicity Xtra**

option 1





# The *Simplicity Xtra* Glass Veranda

## Optional Upgrades

- **Victorian Upgrade Available** – Transform the contemporary Simplicity Xtra into an ornate, traditional structure that fits in with older style buildings seamlessly.
- **Integrated LED Lighting Available** – Remote Controlled Integrated LED Lighting will enable your customers to enjoy their glass room, late into the evening.
- **Wall Mounted Heaters** - Add wall mounted heaters to make your customers' glass rooms more comfortable on those chilly days and evenings.
- **Wide Range of Colour Options** – The aluminium frame can be finished to any BS or RAL colour.

-  **VICTORIAN UPGRADE**
-  **INTEGRATED LED LIGHTING**
-  **WALL MOUNTED HEATERS**
-  **ANY RAL COLOUR OPTION**



Optional LED Integrated Spot Lighting



Available in any RAL colour



Wall Mounted Heaters



LED Remote Control Unit

option 2





# The *Simplicity 6* Glass Veranda

The Simplicity 6 is a stylish veranda, canopy or carport system that is glazed with 6mm toughened glass in a range of options.

With various elegant post and glass options, this product offers you a deluxe garden canopy or veranda at an affordable price. By featuring the option of clear glass roofing, the Simplicity 6 Glass Veranda offers improved acoustic properties – reducing the noise of rain drops during a downpour; these glass panels also provide a sparkling finish which is easy to maintain, particularly if the self-cleaning glass option is chosen.

All framework is constructed from durable aluminium, with the option to powder coat the structure to any RAL colour or BS colour.

The Simplicity 6 Glass Veranda is the perfect veranda solution for domestic gardens and provides effective and stylish cover from the weather for alfresco dining and garden parties.

With a span of up to 3.5m glass length from its supporting wall, and an unlimited length you will have a solution that can be adapted to suit your exact needs.

The Simplicity 6 Glass Veranda comes with a full 10 year guarantee and a 25 year life expectancy, making this a real investment that you will be able to enjoy for many years to come.

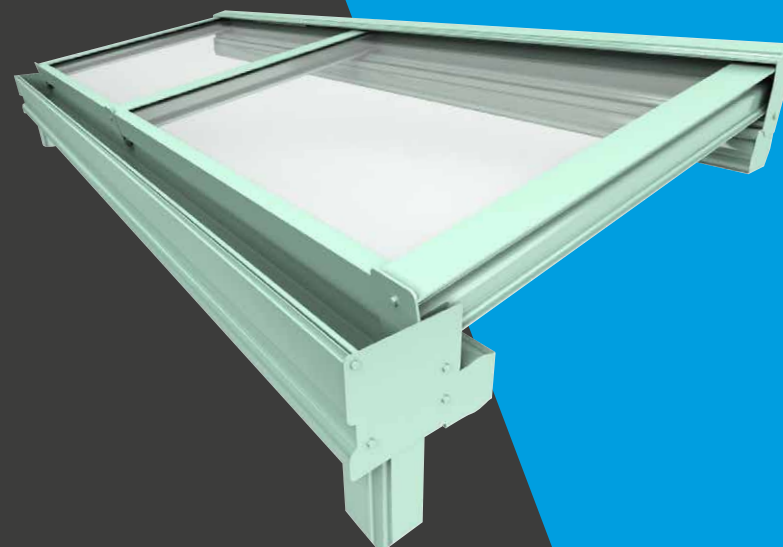
**Now available in either white or anthracite grey as standard.**

*"The veranda has made a big difference to our property and it has created a great outside space all year around. In warm weather it's great for eating outside and to entertain and in cooler or wetter weather can still be used to sit outside in the garden with some shelter."*

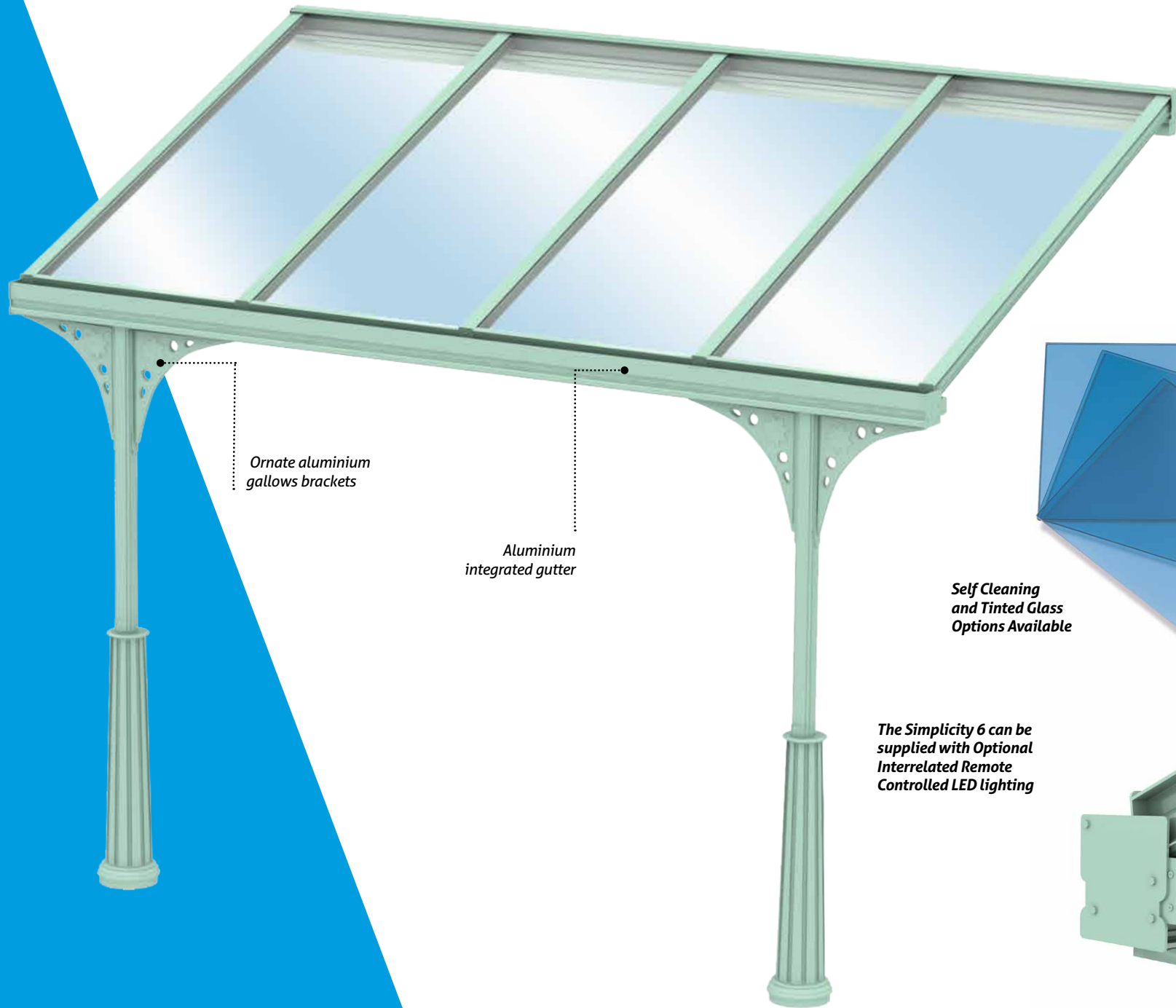
MR. GREEN - BASILDON, ESSEX



*Victorian post upgrade*

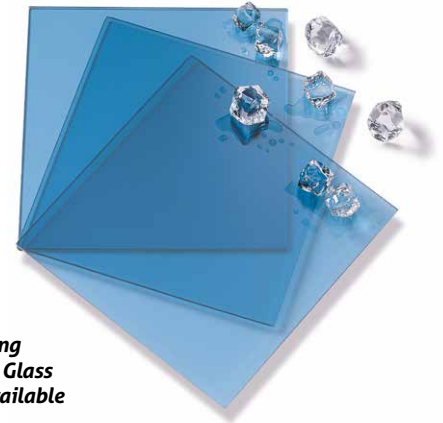


**option 2**



*Ornate aluminium  
gallows brackets*

*Aluminium  
integrated gutter*



*Self Cleaning  
and Tinted Glass  
Options Available*

*The Simplicity 6 can be  
supplied with Optional  
Interrelated Remote  
Controlled LED lighting*





# The *Simplicity 6* Glass Veranda

## Features & Benefits

- **Full 10 Year Guarantee** – The Simplicity 6 is supplied with a full 10 year guarantee and a 25 year life expectancy for the canopy frame
- **UV Activated Self-Cleaning Glass** – Optional 6mm self-cleaning toughened glass has a UV activated special coating that is applied during manufacture that breaks down organic dirt which is then washed away by the rain. Only a small amount of UV is needed to activate the special coating so that the veranda remains clean even on cloudy days
- **Toughened Glass** – Both glass options are toughened during manufacturing and achieve Class 1 BS EN 12600 for impact performance
- **Low Maintenance** – All roof options are low maintenance, particularly the self-cleaning glass, which means less cleaning is required, saving you time and money
- **High Light Transmittance** – All roof options offer high light transmittance
- **Available Projections** – Up to 3.5m projection (Bar length)

- **Simple Fixing System with Minimal Parts** – For a simple and speedy installation
- **Low Profile** – The Simplicity 6 can be fitted in height restricted areas
- **Integral Aluminium Guttering** – Creates a sleek, modern design which is stronger than external guttering systems and saves time on installation

Information on the design load and maximum span limits is available on request.

Projection up to 3.5m

Posts Spacing	
Projection:	Up to 3.5m
Spacing:	3.0m
Glazing Bars Spacing	
Projection:	Up to 3.5m
Spacing:	600mm
Pitch	
From 2.5 degrees to 22.5 degrees	

*These are general calculations, once we understand your requirements we will perform an assessment for wind and snow loadings based on your postcode.*



Optional Gallows Included



Optional Base Castings and Gallows Included

**option 2**





# The *Simplicity 6* Glass Veranda

## Optional Upgrades

- **Wide Range of Colour Options** – The aluminium frame can be finished to any BS or RAL colour
- **Victorian Upgrade Available** – Enhance your structure with traditional style decorative post sleeves and gallows brackets
- **Infrared Heaters** - Wall Mounted Infrared Heaters can be added to the veranda to create a warm and cosy atmosphere
- **Integrated LED Lighting Available** – Lighting can be added to the veranda to enable your customers to entertain when the sun goes down
- **Glass Options** – 6mm clear toughened, 6mm clear self-cleaning, 6mm toughened tinted grey and blue and 6mm toughened self-cleaning tinted blue glass.

-  **VICTORIAN UPGRADE**
-  **OPTIONAL REMOTE CONTROLLED LED LIGHTING AVAILABLE**
-  **INFRARED HEATERS AVAILABLE**
-  **GLASS OPTIONS**
-  **ANY RAL COLOUR OPTION**
-  **CONTEMPORARY 70MM x 70MM SQUARE POST AVAILABLE**



Victorian Upgrade



Optional Integrated Lighting



Available in any RAL colour



Infrared Heaters



LED Remote Control Unit

# Infrared Outdoor *Heaters*

The infrared wall mounted heaters have ceramic elements that are designed to gently warm adults and children whilst outdoors under a covered structure such as a canopy using Far Infrared technology which is completely harmless and contains no ultraviolet radiation or fumes.

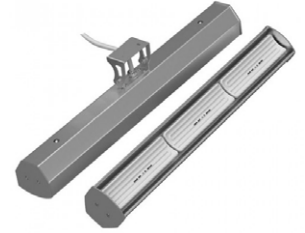
The heaters also do not emit or noise and provide a gentle heat similar to the feeling of the winter sun.

Your customers can enjoy keeping warm outside without feeling too hot and without experiencing any unsightly glare.

The ceramic plates generate heat quickly and reach their full operating temperature within less than 10 minutes.

Each unit is supplied with a 5 year warranty and require no maintenance. They are CE certified and carries the UL safety recognition (file no. E214574) when installed by an approved electrician.

**Size:**  
Available with 2 or 3 heated elements to create medium or large heated areas with a choice of different power outputs.



## Reflex Glass *Heaters*

A powerful, waterproof short-wave heater (IR-A) with a tinted, ceramic-glass front that provides instant heat in all outdoor areas. The heaters include brackets for wall and ceiling mounting however, they are available with a frame for ceiling installation.



Available with  
Dimmer and  
Remote

## Reflex *Sound*

**Bluetooth speakers for outdoor use – perfect for under a veranda.**

- High quality, long lasting speakers
- Waterproof, IP Protection Class IP65
- The heater case, glass and frame are available in a choice of colours including black or silver
- Size: 900mm x 170mm x 80mm
- Colour Black only
- Available with a remote control
- Can be connected together with the Relax Heaters
- 2-year guarantee



# Modular *Heaters & LED Lights*

**Our unique modular heaters and LED Lights offer individual combinations for every project.**

They compliment all our canopies, verandas and awnings, are easy to install and waterproof.

Combine single modules or standard sets to every desired colour and length – 10, 20, 30, 50 or 100m.

Choose from our standard colours pure white (9010), Black (9005) and anthracite (7016) or with a supplementary charge for an individual colour of your choice.

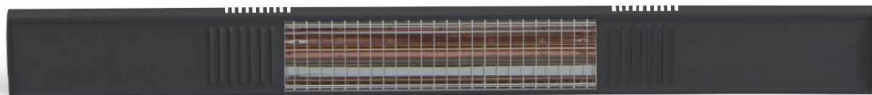
Mounting brackets are included whether single modules or standard modular sets.



M1



M2



M3



Modular Sets



WATERPROOF • EASY TO FIT



The units simply click together





# Screeners Veranda

A solid and elegant awning that is designed to be installed onto a veranda, glass room or other large vertical or horizontal glazed structure.

## Precision

The Screener Veranda has a specially designed traction bar to guarantee constant fabric tension in any position.

## Convenience

The Screener Veranda ensures efficient air circulation and optimal sun protection which minimises overheating.



## Fabric colours

### Soltis 92 Colour Range:

<b>Weight:</b>	420 g/sqm
<b>Thickness:</b>	0.45 mm
<b>Roll-width:</b>	177 cm
<b>Tensile Strength (warp/weft):</b>	310/210 daN / 5cm
<b>Tear Resistance (warp/weft):</b>	40/20 daN
<b>Flame Retardancy (warp/weft):</b>	M1/NFP 92-507 • METHOD 1/NFPA 701 • CSFM T19 • CLASS A/ASTM E84 B1/DIN 4102-1 • BS 7837 • BS 5867 • LASSE 1/UNI 9177-87 • M1/UNE 23.727-90 • VKF 5.2/SN 198898 • 1530.3 /AS/NZS 1530.3 • G1/GOST 30244-94
<b>Euroclass:</b>	B-s2,d0/EN 13501-1
<b>Quality Management System:</b>	ISO 9001

The technical data shown here are average values, given for information only, and may be modified.



SOLTIS 92-2046  
ALU/OAT



SOLTIS 92-2171  
BOULDER



SOLTIS 92-2048  
ALU/ALU



SOLTIS 92-2045  
BEATEN-METAL



SOLTIS 92-2074  
ALU-MEDIUM  
GREY



SOLTIS 92-2167  
CONCRETE

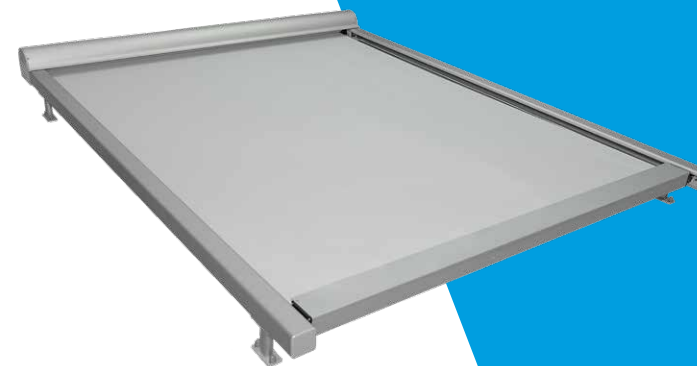


SOLTIS 92-2047  
ANTHRACITE



SOLTIS 92-2053  
BLACK

**Serge Ferrari**





## **Versatility is Key**

*Our ranges present you with an abundance of stunning style options from modern contemporary to traditional classic. This provides the versatility you need to create your own unique space and, more specifically, an outdoor area that fits your home's personality as well as your lifestyle.*