

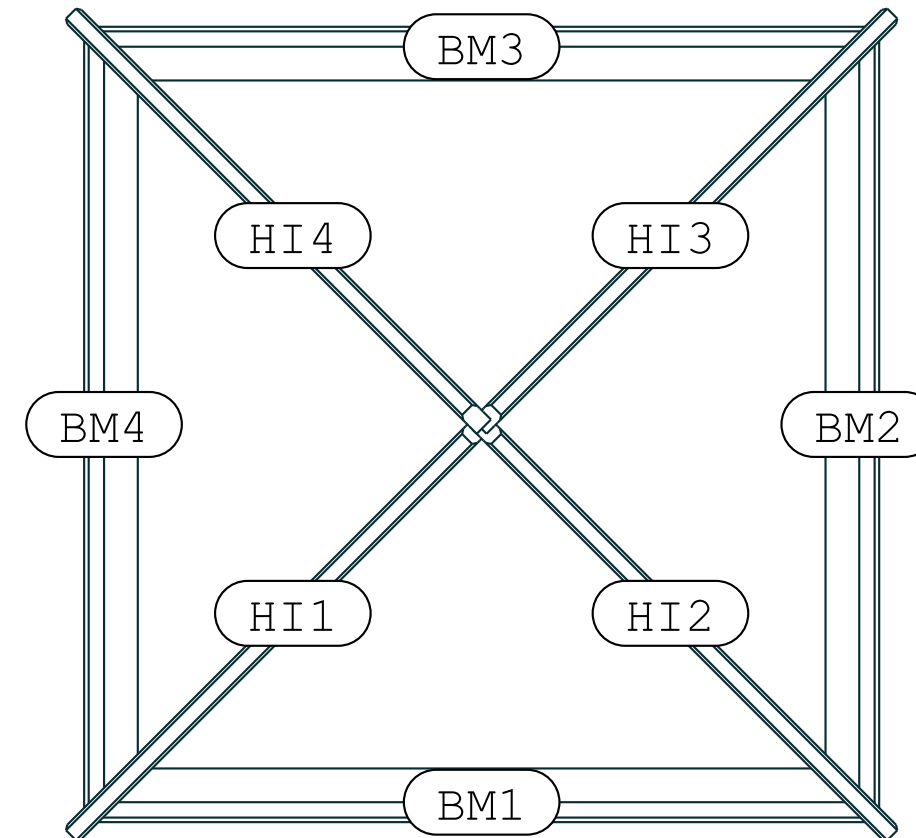
ATLAS SQUARE LANTERN INSTALLATION GUIDE

ATLAS
MORE SKY LESS ROOF™



SQUARE LANTERN ILLUSTRATION

To help with installation, the main lantern components have been numbered and lettered. These correspond with the drawings found in your kit instructions, and will look like the image below. Please take care to follow the image in your kit, not the image below.

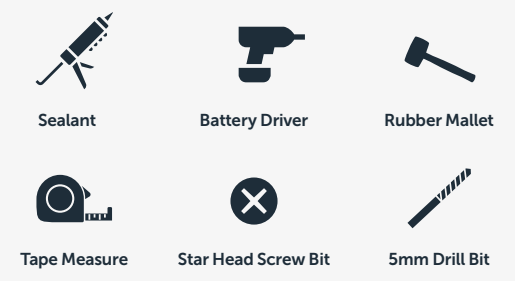


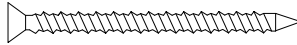



WELCOME TO THE ATLAS SQUARE LANTERN INSTALLATION GUIDE

This installation guide will ensure the quick and easy assembly of your Atlas Square Lantern. It takes you through each stage of installation step by step.

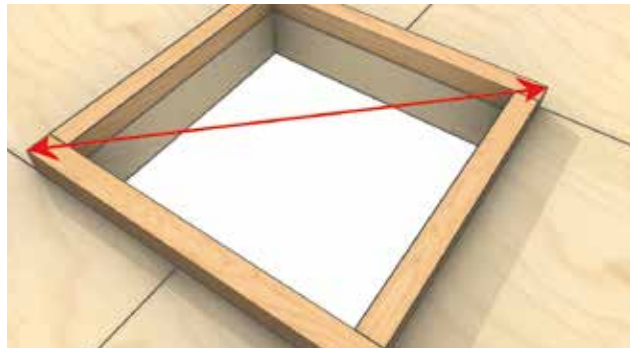
We recommend you spend a little time reading through this guide before you start, to give you an understanding of the roof structure, then follow each step carefully to avoid complications later.

TOOLS YOU'LL NEED:

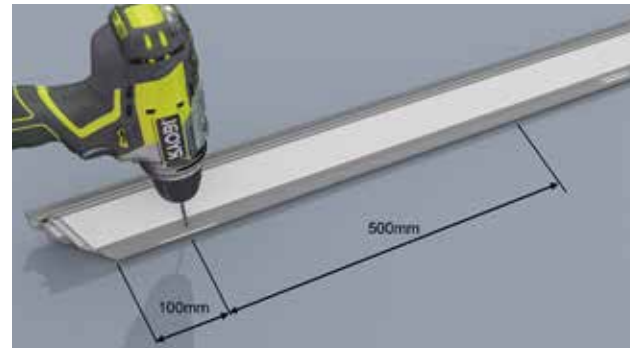


Screw Description	Location
 REF 4.2 x 45mm	Screws for fixing pressure plates
 REF 4.2 x 25mm	Screws are fixed through the ringbeam to join the ringbeams together at the corners
 REF 4.8 x 50mm	Screws to fix the bottom of transom rafters to the ringbeam
 REF 4.2 x 25mm	Screws to fix bottom of hip rafters

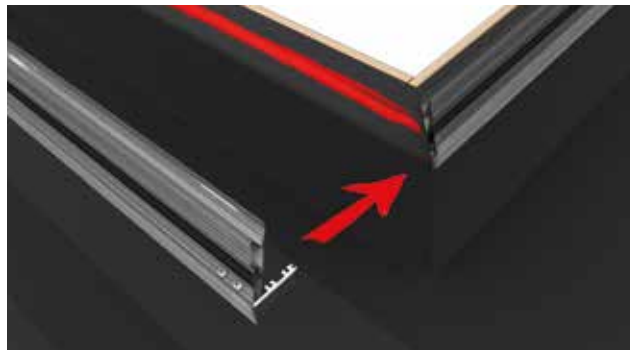
SQUARE LANTERN INSTALLATION



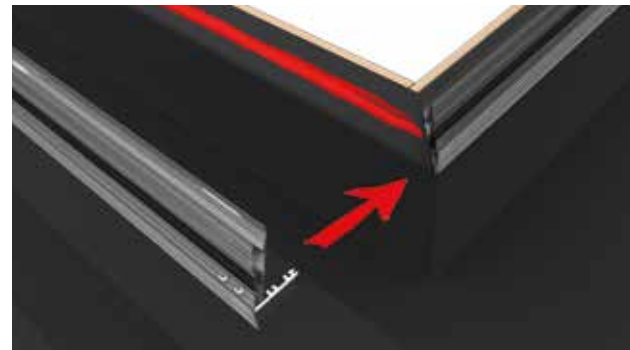
1 Ensure that the kerb upstand by others is square by checking the diagonals.



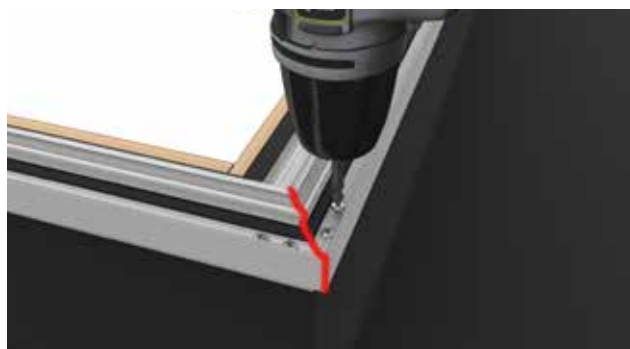
2 Pre-drill the ringbeam as shown, 100mm from the corners and then at 500mm centres.



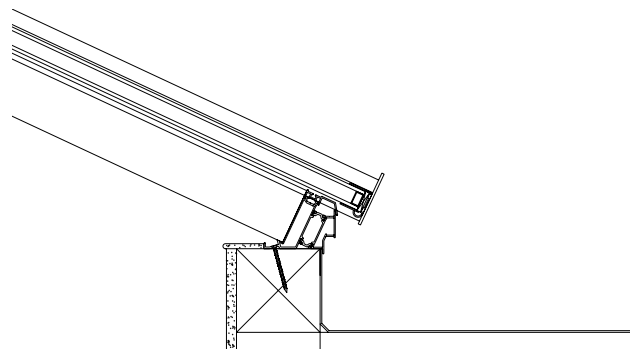
3 Apply a generous bead of sealant to the top of the kerb upstand.



4 Lay the ringbeam out in accordance with the lengths of the kerb upstand and locate the adjacent cleat into the mating ringbeam. Apply sealant to the cut ends of the ringbeam.

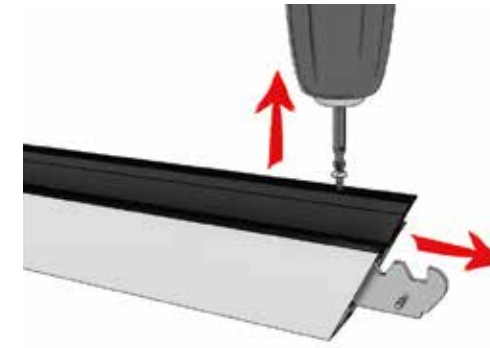


5 Using the 4.2 x 25mm screws provided, screw through the pre-drilled holes into the cleat to secure.

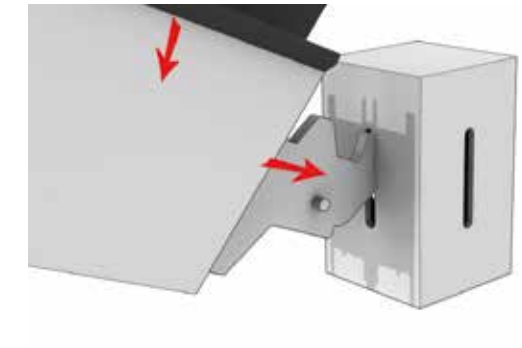


6 Fix down the ringbeam through the pre-drilled holes using an appropriate fixing (recommended minimum of Ø6mm x 50mm).

Note: fixing screws not provided



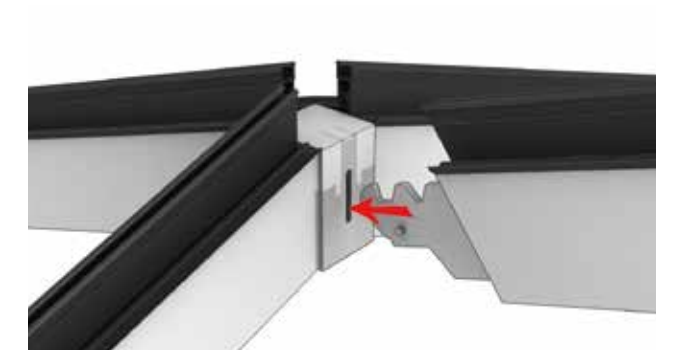
7 Slightly unscrew the fixing in the transom rafter to release the connection bracket.



8 Lift the hip rafter and offer the bracket up to the slot in the box ridge at an angle. Insert the bracket and rotate rafter down into position.



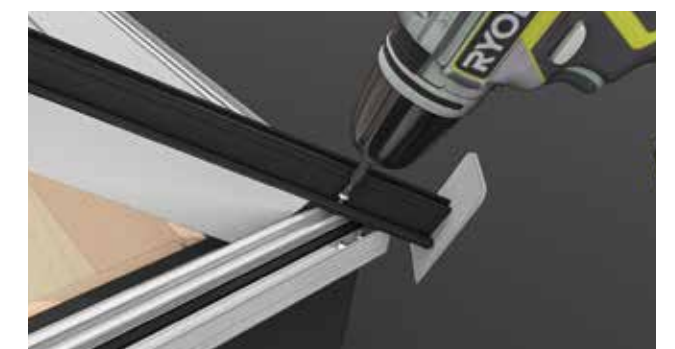
9 Re-tighten the screw on the top of the hip rafter making sure the joint is tight.



10 Continue the bracket fixing process until all the rafters are secured.

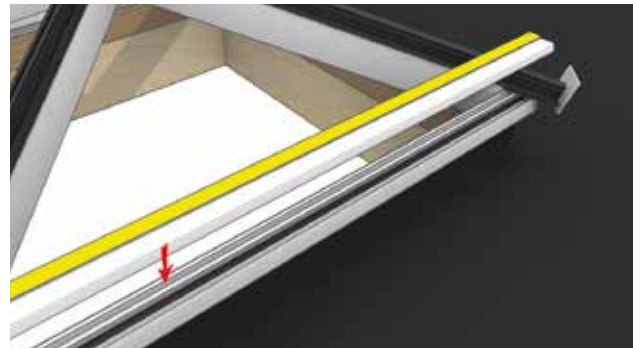


11 Once all the rafters are secured to the box ridge drop the assembled frame onto the ringbeam pushing the hips tight into the corners.



12 Fix hips into the ringbeam using the 4.2 x 25mm screws on either side of the rafter as shown.

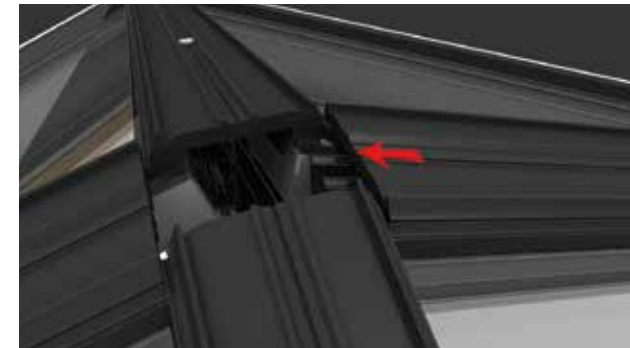
SQUARE LANTERN INSTALLATION



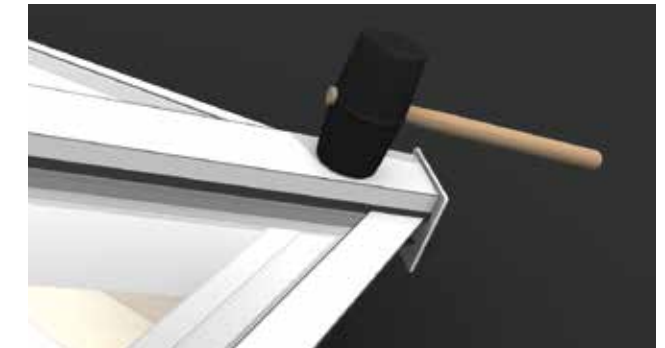
13 Fit glazing support snap on trim between the hip rafters.



14 Clip trim onto the top of the ringbeam using a rubber hammer if required and then peel back the corner of the protective tape and fully remove.



19 Before fixing down the shorter pressure plates make sure they are pushed up tight against the longer pressure plates, so the gaskets are touching.



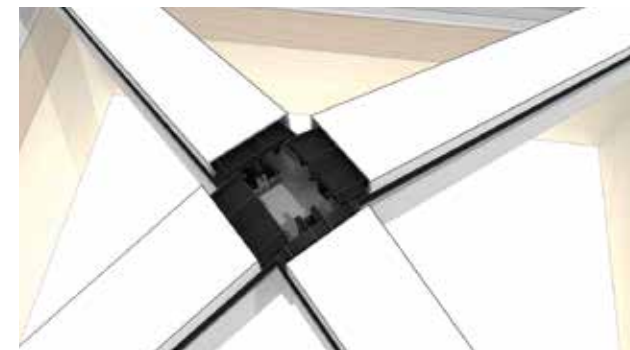
20 Fit the rafter snap on cover caps over the plastic pressure plates.



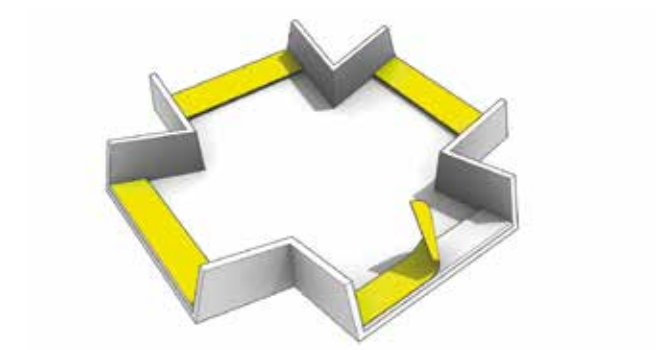
15 Apply a bead of sealant to glazing end closer and fit centrally to glass units.
Note: Always use the correct polymer sealant for self cleaning glass. Illustration shows underside of glass, note when fitting, drip faces down.



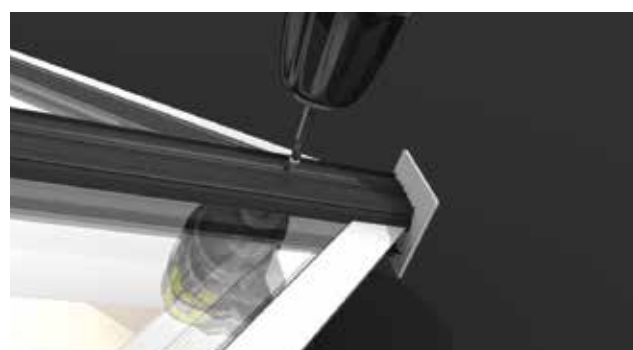
16 Fit the glazing around the roof and drop glass end closer behind the rafter end caps. Apply pressure to the adhesive on the glazing tape to secure the glass.



21 Continue to push down and snap on all the cover caps, if required use a rubber mallet to clip the cover caps down tight.



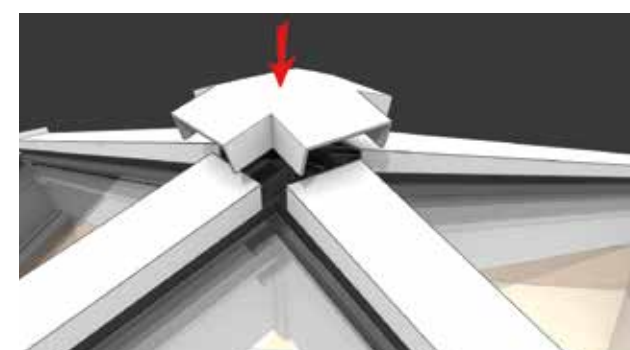
22 Peel back the protective tape off the double sided tape on the underside of the central cross cap.



17 It is important to fit the **longest** pressure plates opposite each other first and screw down into the rafters through the pre-drilled holes in the pressure plates using 4.2mm x 45mm screws.
Note: Add a pressure plate screw at the bottom of the pressure plate in line with the double sided tape to help compress the glass to the tape.



18 Fit the shorter pressure plates after the longer pressure plates have been secured.



23 Push down central cross cap so it locates firmly onto the top of the pressure plate.



24 Roof is now complete.

ATLAS SQUARE LANTERN INSTALLATION GUIDE

ATLAS
MORE SKY LESS ROOF™